

- 1.
 - : K,E,S,B,J,T,R,N
 - RTD : PT100
 -
 - DC : 4~20mA / 0~20mA / 0~10mA
 - DC : 0~10V / 0~5V / 1~5V
 - (ripple) : $5mV_{rms}$ (load 250)
 - : 25 ±2 ,
 - (Cold Junction)

Input signal type	Range	Accuracy	
TC	K/E/J/N, etc.	<math>< 300\text{ }^\circ\text{C}</math>	±0.3 °C
		$\geq 300\text{ }^\circ\text{C}$	±0.1% F·S
	S/B/T/R/WRe-series	<math>< 500\text{ }^\circ\text{C}</math>	±0.5 °C
		$\geq 500\text{ }^\circ\text{C}$	±0.1% F·S
RTD	Pt100/Cu100/Cu50/BA1/BA2, etc.	<math>< 100\text{ }^\circ\text{C}</math>	±0.1 °C
		$\geq 100\text{ }^\circ\text{C}$	±0.1% F·S

- : 0.5s
- : 40ppm /
- (Cold Junction) : ± 1
- (Cold Junction) : -20 ~ +60
- : 20 /lead
-

4~20mA / 0~20mA : 550
 0~10mA : 1100
 0~5V / 1~5V : 1M
 0~10V : 2M

- 1 Input / 2 Output : 1.3W
- : 18~32Vdc (24Vdc)
- (1 mA,)
- : 2500VAC (/ /)
- : 1500VAC (/ /)
-
- : 100M (/ /)
- : EMC conforms to IEC61326-3

/ RTD

가

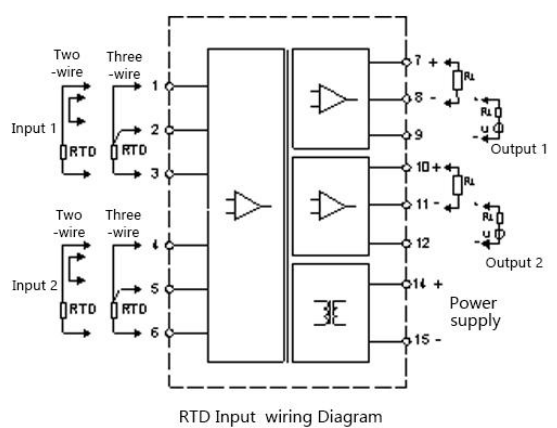
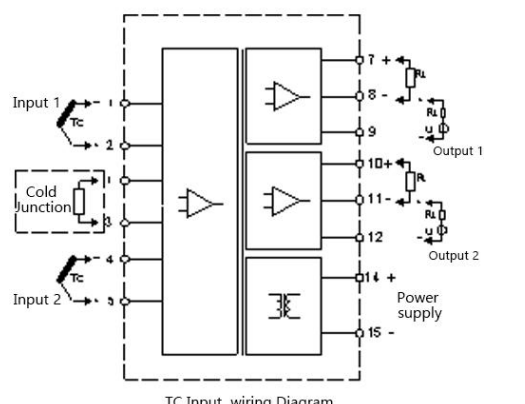
Follow-up : () 가

110%

) 0~20mA

22mA

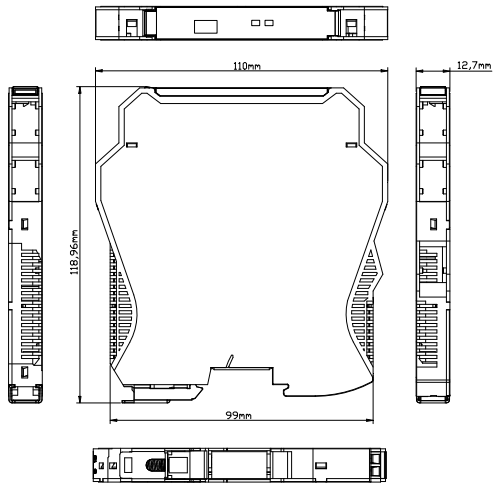
2.



: (Cold Junction)

3.

- 12.7 x 110 x 118.9mm (WxHxD)

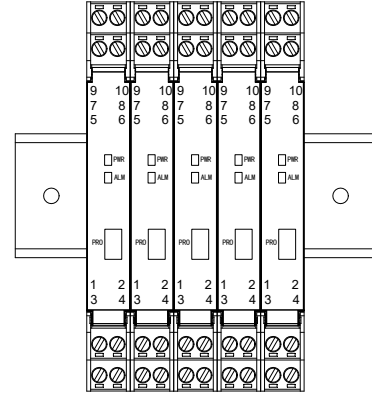


6.

- 35mm

가

□



4. LED

- PWR :

- ALM:

:

:

- 가

7.

□

IEC61000-4 TYPE3

5.

- : -20~60
- : 10~90%RH (40)
- : 800hPa ~1060hPa
- : -40~80

